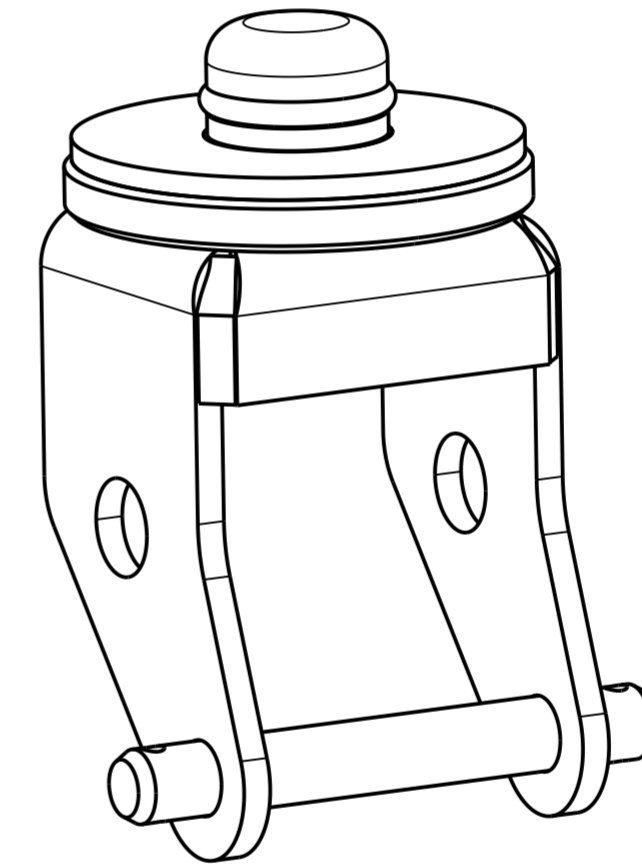
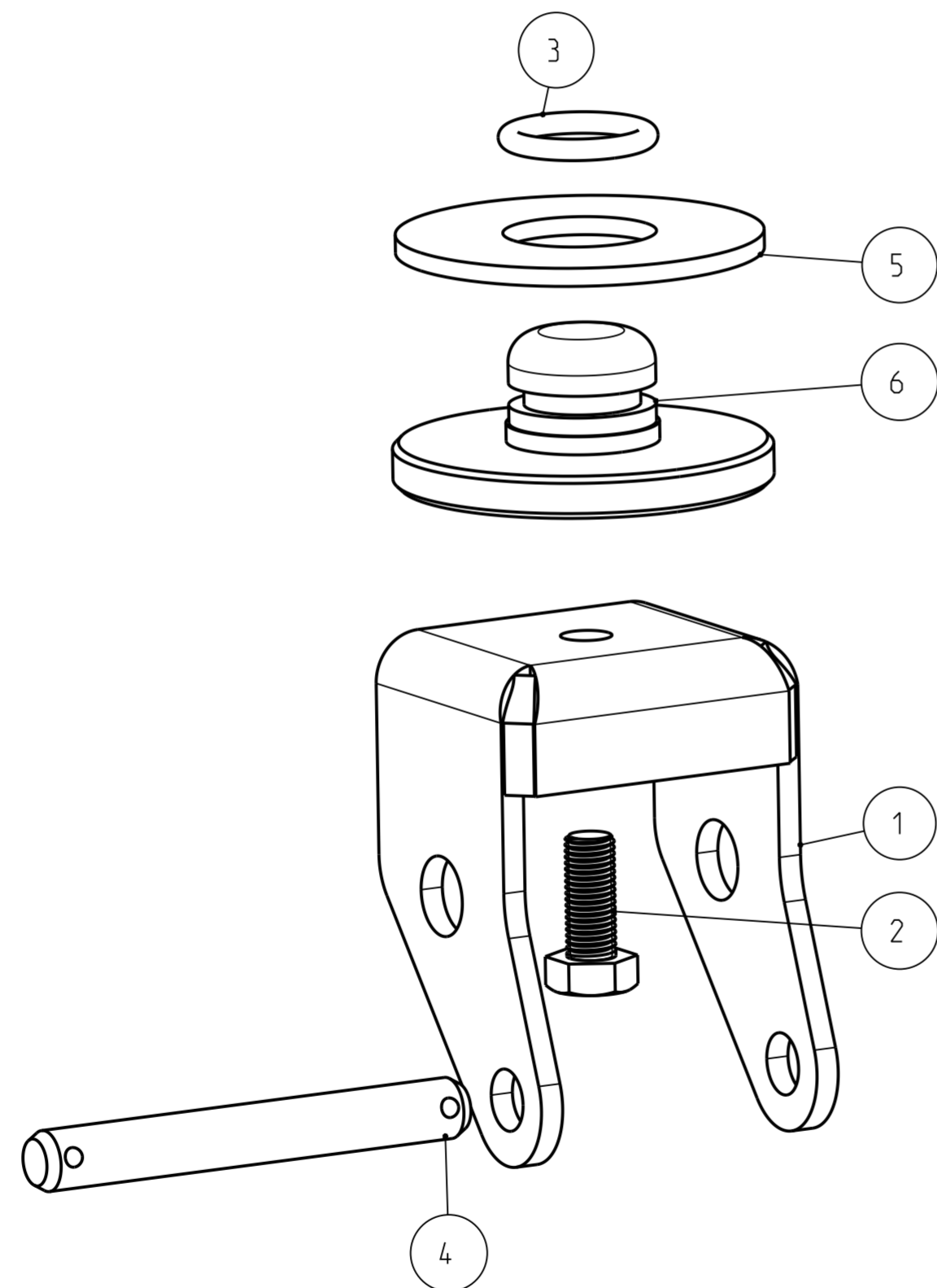
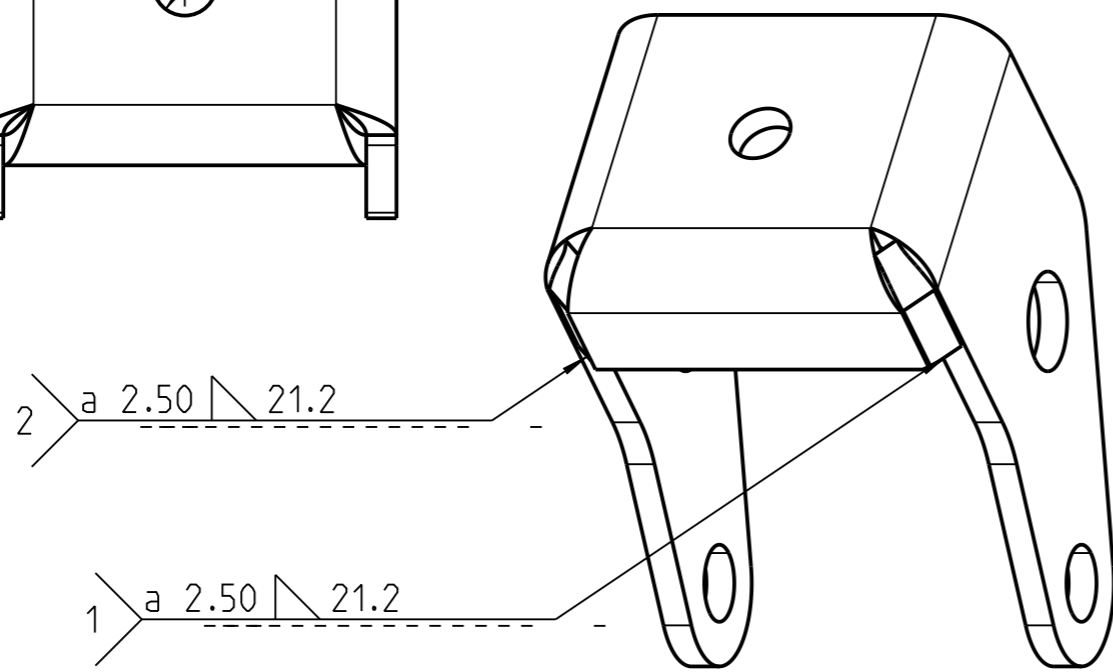
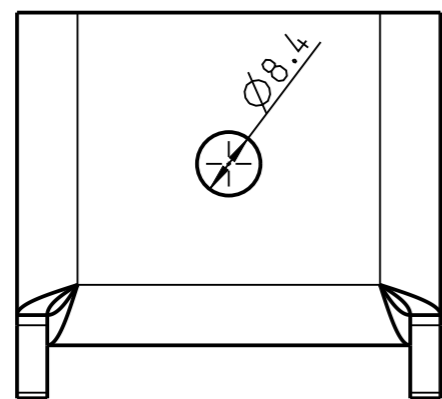
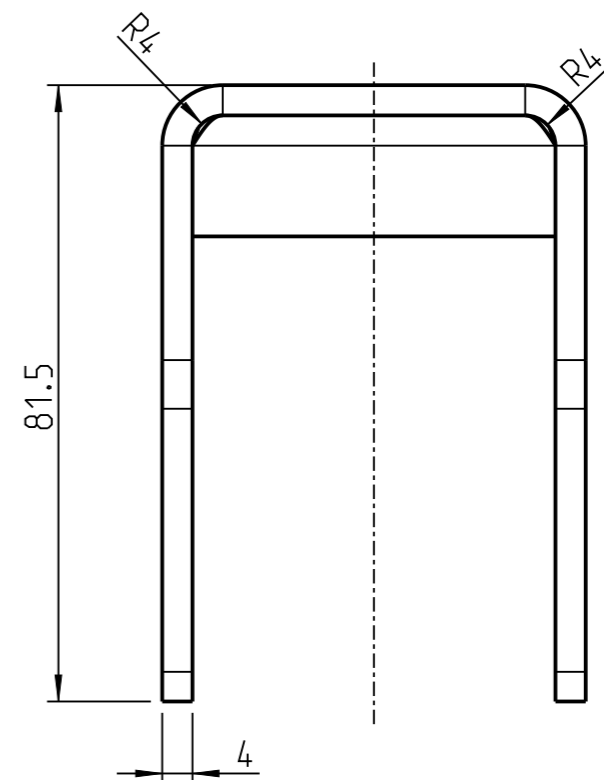
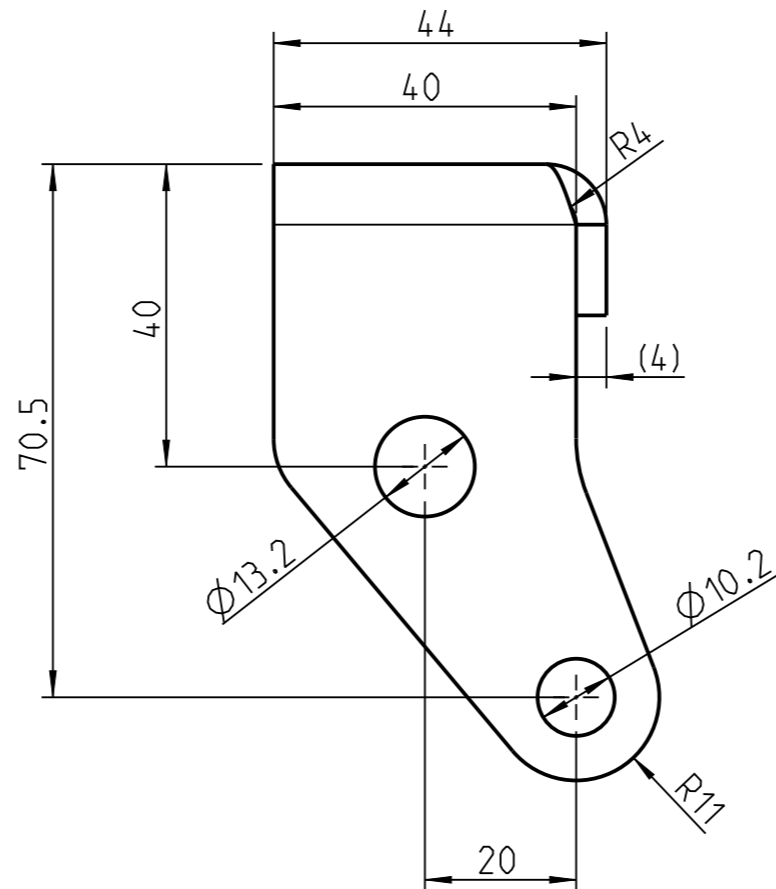
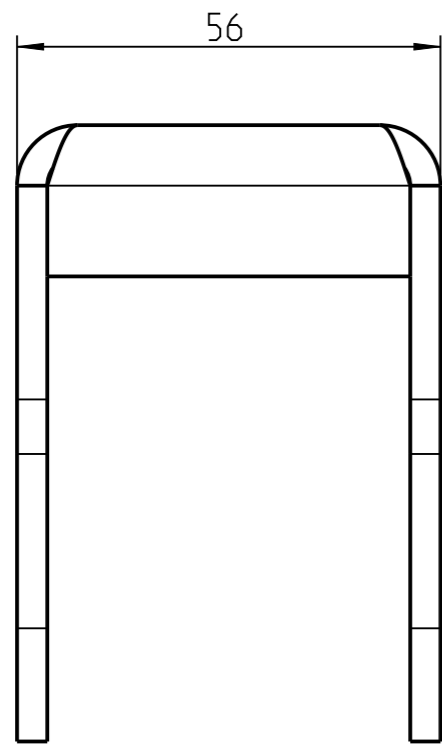


Bill of Material Standard (DIN 6771-A)					
1	2	3	4	5	6
No.	Qty	Name	Material	Supplier	Information
1	1	CAR-JACK_SUPPORT	1.0038	.	.
2	1	HEXAGON_BOLT			hexagon bolt M6x20 8.8 ISO-4017
3	1	O-RING	-	.	O-Ring DIN 3771 - 19x3.5
4	1	PIN		-	PIN Form B 10x80 DIN/EN/ISO 22340
5	1	SOFT_SUPPORT	soft plastic	.	.
6	1	TESLA_FIT	Aluminum	.	.



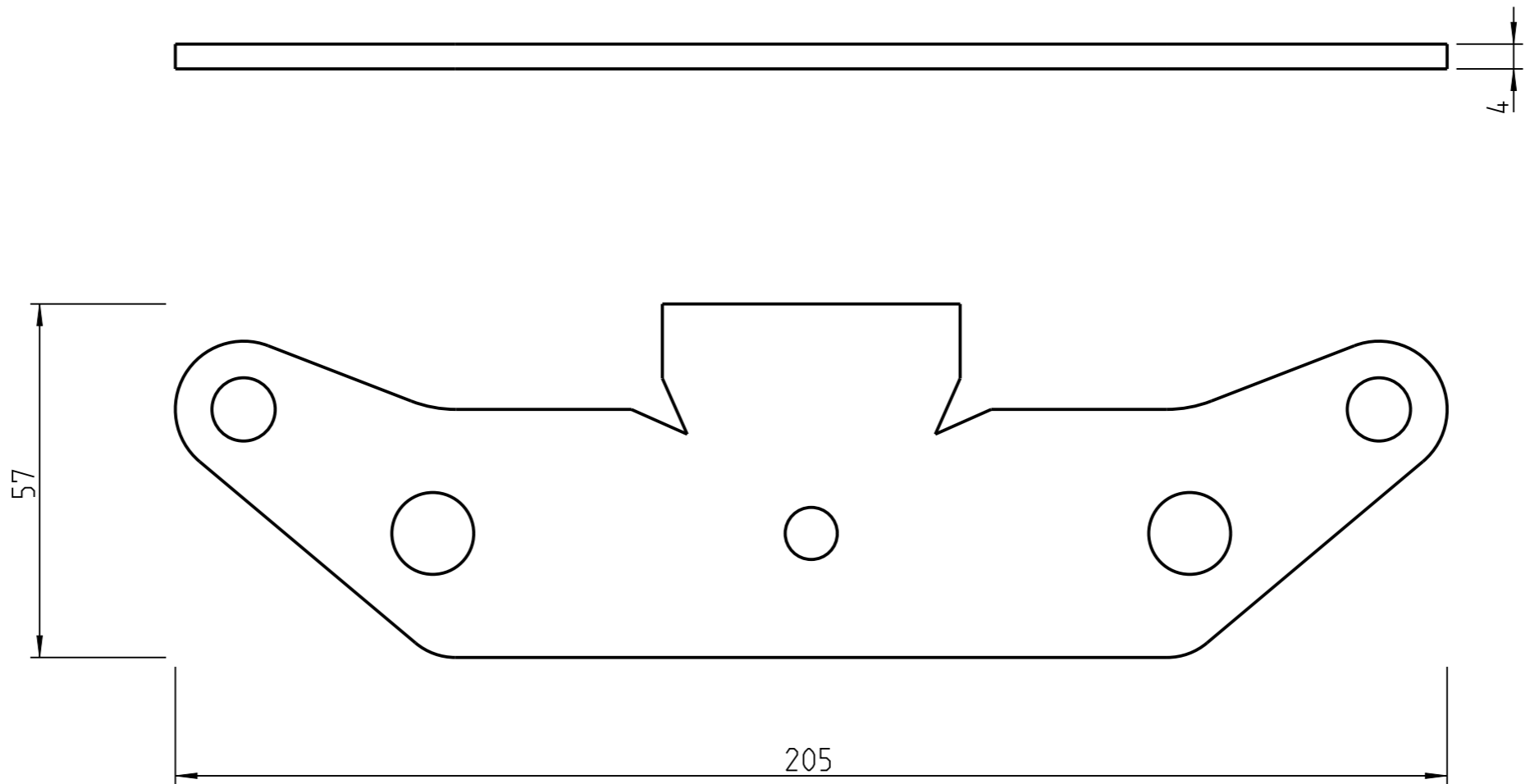
.
.
.
No.	Zone	Date	changed	approved	comment	
CAD DRAWING, MODIFICATIONS WITHIN 3D MODEL ONLY						
CODE	WEIGHT	FORMAT	GEN TOLERANCE	SCALE	REVISION	ADDITIONAL INFO
.	.	A2	ISO 2768-1 M ISO 2768-2 K	1:1	.	.
3D MODEL NAME			DRAWN	NAME	DATE	PROJECTION
TESLA_CAR-JACK_ADAPTER			-	-	26.11.2019	
CAD DRAWING NAME			APPR.	NAME	DATE	
TESLA_CAR-JACK_ADAPTER			-	-	-.-.-	
FIBERDRAFT					TITEL	MATERIAL
www.fiberdraft.com					ADDITIONAL TITEL	SHEET
					.	1 OF 1

FREE USE RIGHTS
 NO WARRANTY: ALL INFORMATION IS PROVIDED "AS IS". FIBERDRAFT MAKES NO WARRANTIES, EXPRESSED, IMPLIED OR OTHERWISE, REGARDING ITS ACCURACY, COMPLETENESS OR MECHANICAL PERFORMANCE.



.	
.	
.	
No.	Zone	Date	changed	approved	comment	
CAD DRAWING, MODIFICATIONS WITHIN 3D MODEL ONLY						
CODE	WEIGHT	FORMAT	GEN TOLERANCE	SCALE	REVISION	ADDITIONAL INFO
.	0.24kg	A3	ISO 2768-1 M ISO 2768-2 K	1:1	.	.
3D MODEL NAME			DRAWN	NAME	DATE	PROJECTION
CAR-JACK_SUPPORT			-	-	26.11.2019	
CAD DRAWING NAME			APPR.	NAME	DATE	
CAR-JACK_SUPPORT			-	-	-.-.-	
FIBERDRAFT					TITEL	MATERIAL
WWW.FIBERDRAFT.COM					.	1.0038
					ADDITIONAL TITEL	SHEET
					.	1 OF 2

FREE USE RIGHTS
 NO WARRANTY: ALL INFORMATION IS PROVIDED "AS IS". FIBERDRAFT MAKES NO WARRANTIES, EXPRESSED, IMPLIED OR OTHERWISE, REGARDING ITS ACCURACY, COMPLETENESS OR MECHANICAL PERFORMANCE.



.
.
.
No.	Zone	Date	changed	approved	comment		
CAD DRAWING, MODIFICATIONS WITHIN 3D MODEL ONLY							
CODE	WEIGHT	FORMAT	GEN TOLERANCE	SCALE	REVISION	ADDITIONAL INFO	
.	0.24kg	A3	ISO 2768-1 M ISO 2768-2 K	1:1	.	.	
3D MODEL NAME				DRAWN	NAME	DATE	PROJECTION
CAR-JACK_SUPPORT				-	-	26.11.2019	
CAD DRAWING NAME				APPR.	NAME	DATE	
CAR-JACK_SUPPORT				-	-	-.-.-	
FIBERDRAFT				TITEL			MATERIAL
WWW.FIBERDRAFT.COM				flatened view			1.0038
				ADDITIONAL TITEL			SHEET
				.			2 OF 2

FREE USE RIGHTS
 NO WARRANTY: ALL INFORMATION IS PROVIDED "AS IS". FIBERDRAFT MAKES NO WARRANTIES, EXPRESSED, IMPLIED OR OTHERWISE, REGARDING ITS ACCURACY, COMPLETENESS OR MECHANICAL PERFORMANCE.

1

2

3

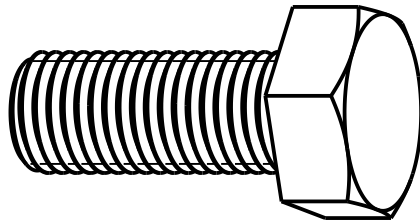
4

A

A

B

B



C

C

hexagon bolt M6x20 8.8 ISO-4017

D

D

E

E

.
.
.

No.	Zone	Date	changed	approved	comment
-----	------	------	---------	----------	---------

CAD DRAWING, MODIFICATIONS WITHIN 3D MODEL ONLY

CODE	WEIGHT	FORMAT	GEN TOLERANCE	SCALE	REVISION	ADDITIONAL INFO
-	-[.2]kg	A4	ISO 2768-1 M ISO 2768-2 K	2:1	-	-

3D MODEL NAME HEXAGON_BOLT	DRAWN	NAME	DATE	PROJECTION
	-	-	-	

CAD DRAWING NAME HEXAGON_BOLT	APPR.	NAME	DATE
	-	-	-

F

F

	TITEL Hexagon bolt	MATERIAL -
	ADDITIONAL TITEL -	SHEET 1 OF 1

WWW.FIBERDRAFT.COM

1

2

3

4

1

2

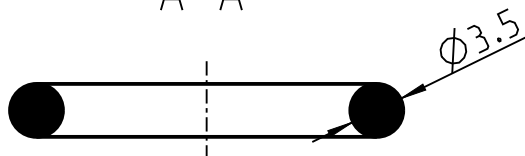
3

4

A

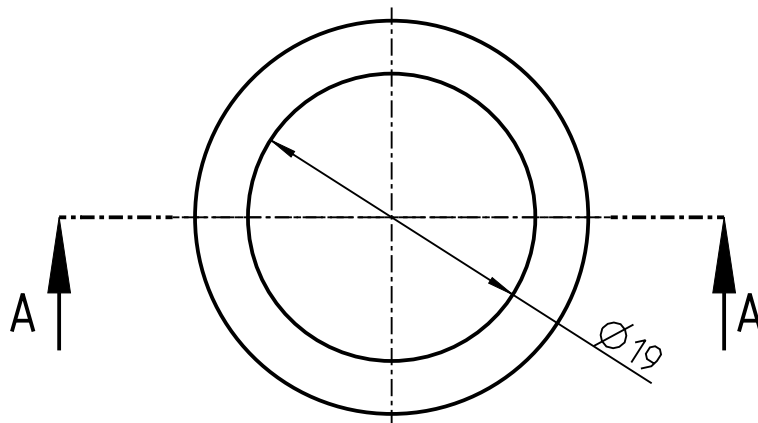
A

A-A



B

B



C

C

O-Ring DIN 3771 - 19x3.5

D

D

FREE USE RIGHTS
 NO WARRANTY: ALL INFORMATION IS PROVIDED "AS IS". FIBERDRAFT
 MAKES NO WARRANTIES, EXPRESSED, IMPLIED OR OTHERWISE,
 REGARDING ITS ACCURACY, COMPLETENESS OR MECHANICAL PERFORMANCE.

E

E

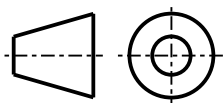
.
.
.

No.	Zone	Date	changed	approved	comment
-----	------	------	---------	----------	---------

CAD DRAWING, MODIFICATIONS WITHIN 3D MODEL ONLY

CODE	WEIGHT	FORMAT	GEN TOLERANCE	SCALE	REVISION	ADDITIONAL INFO
.	0.00kg	A4	ISO 2768-1 M ISO 2768-2 K	2:1	.	-

3D MODEL NAME	DRAWN	NAME	DATE	PROJECTION
O-RING		-	-.-.-	
CAD DRAWING NAME	APPR.	NAME	DATE	
O-RING		-	-.-.-	



F

F



WWW.FIBERDRAFT.COM

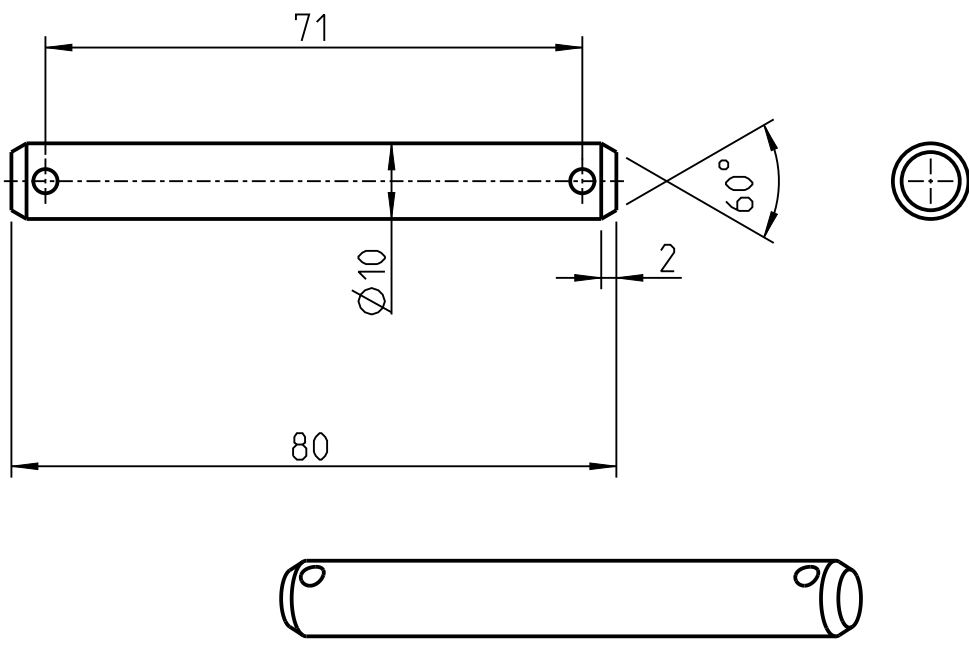
TITEL	MATERIAL
.	-
ADDITIONAL TITEL	SHEET
.	1 OF 1

1

2

3

4



PIN Form B 10x80 DIN/EN/ISO 22340

FREE USE RIGHTS
 NO WARRANTY: ALL INFORMATION IS PROVIDED "AS IS". FIBERDRAFT
 MAKES NO WARRANTIES, EXPRESSED, IMPLIED OR OTHERWISE,
 REGARDING ITS ACCURACY, COMPLETENESS OR MECHANICAL PERFORMANCE.

.
.
.

No.	Zone	Date	changed	approved	comment
-----	------	------	---------	----------	---------

CAD DRAWING, MODIFICATIONS WITHIN 3D MODEL ONLY

CODE	WEIGHT	FORMAT	GEN TOLERANCE	SCALE	REVISION	ADDITIONAL INFO
.	.[.2]kg	A4	ISO 2768-1 M ISO 2768-2 K	1:1	.	.

3D MODEL NAME PIN	DRAWN	NAME	DATE	PROJECTION
CAD DRAWING NAME PIN	APPR.	NAME	DATE	

FIBERDRAFT	TITEL	MATERIAL
	ADDITIONAL TITEL	SHEET 1 OF 1
WWW.FIBERDRAFT.COM		.

1

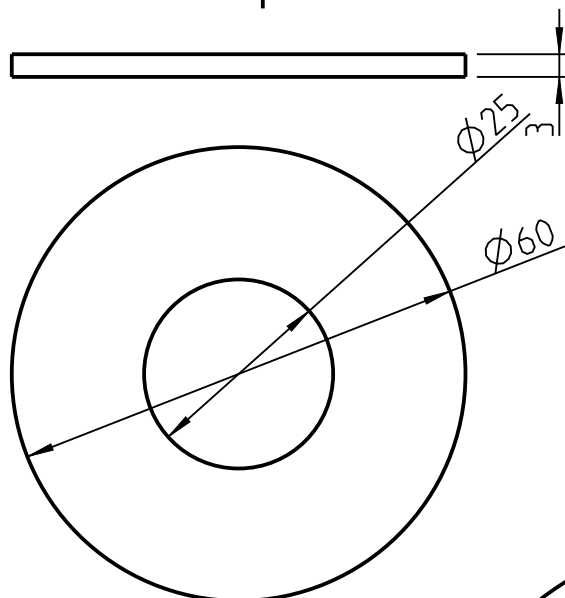
2

3

4

A

A

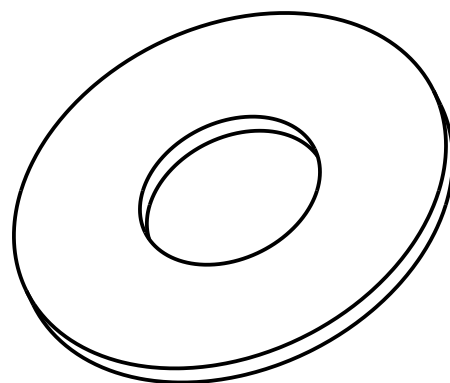


B

B

C

C



D

D

FREE USE RIGHTS

NO WARRANTY: ALL INFORMATION IS PROVIDED "AS IS". FIBERDRAFT MAKES NO WARRANTIES, EXPRESSED, IMPLIED OR OTHERWISE, REGARDING ITS ACCURACY, COMPLETENESS OR MECHANICAL PERFORMANCE.

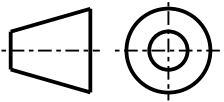
E

E

.
.
.
No.	Zone	Date	changed	approved	comment

CAD DRAWING, MODIFICATIONS WITHIN 3D MODEL ONLY

CODE	WEIGHT	FORMAT	GEN TOLERANCE	SCALE	REVISION	ADDITIONAL INFO
.	0.01kg	A4	ISO 2768-1 M ISO 2768-2 K	1:1	.	.

3D MODEL NAME SOFT_SUPPORT	DRAWN	NAME -	DATE 26.11.2019	PROJECTION 
CAD DRAWING NAME SOFT_SUPPORT	APPR.	NAME -	DATE -.-.-	

F

F

FIBERDRAFT

TITEL	MATERIAL
.	soft plastic

ADDITIONAL TITEL	SHEET
.	1 OF 1

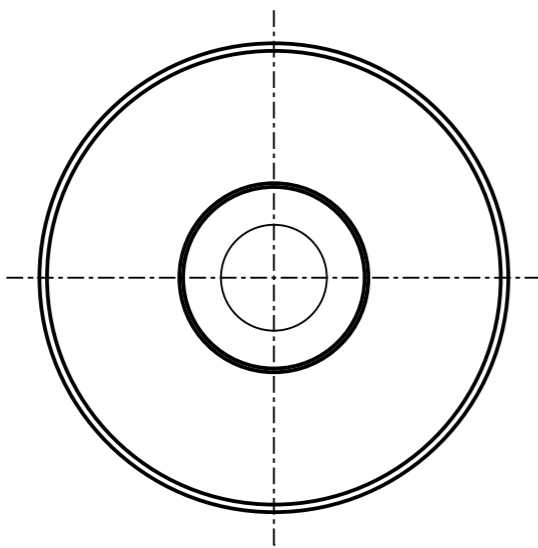
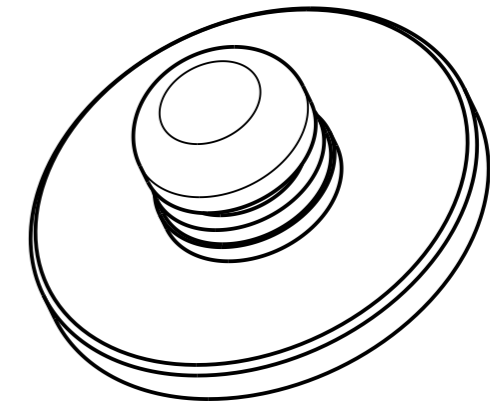
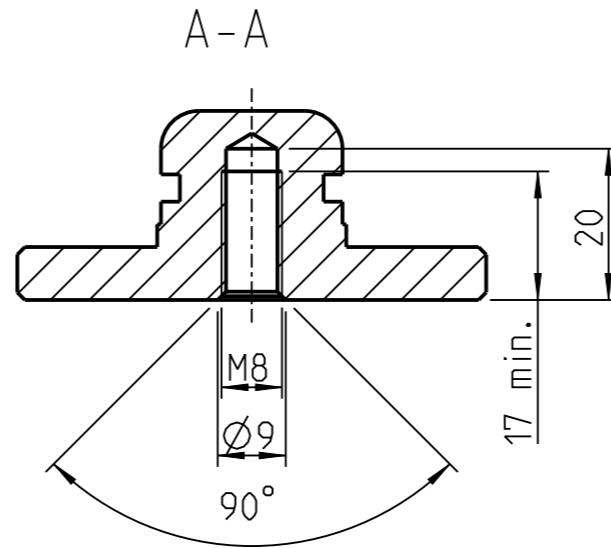
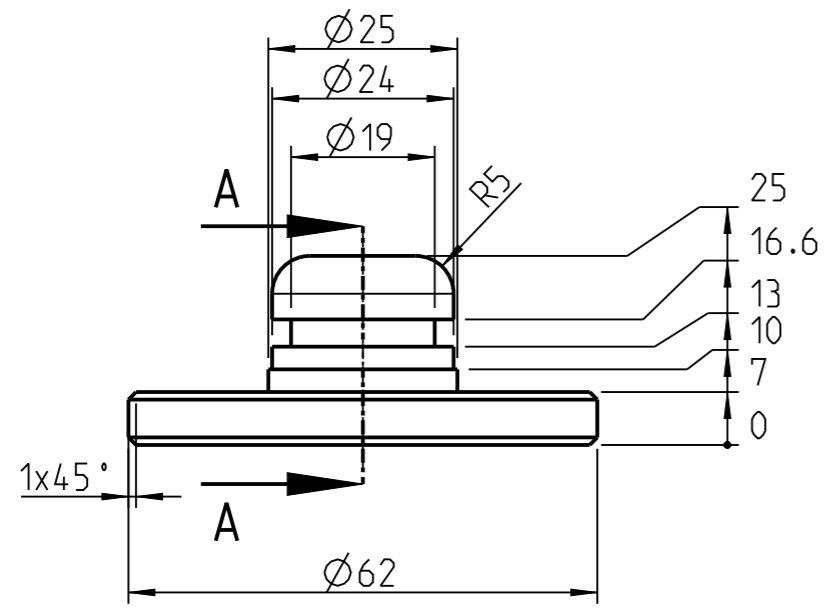
WWW.FIBERDRAFT.COM

1

2

3

4



.	
.	
.	
No.	Zone	Date	changed	approved	comment	
CAD DRAWING, MODIFICATIONS WITHIN 3D MODEL ONLY						
CODE	WEIGHT	FORMAT	GEN TOLERANCE	SCALE	REVISION	ADDITIONAL INFO
.	0.08kg	A3	ISO 2768-1 M ISO 2768-2 K	1:1	.	.
3D MODEL NAME			DRAWN	NAME	DATE	PROJECTION
TESLA_FIT			-	-	23.03.2020	
CAD DRAWING NAME			APPR.	NAME	DATE	
TESLA_FIT			-	-	-.-.-	
FIBERDRAFT			TITEL		MATERIAL	
WWW.FIBERDRAFT.COM			Tesla_Adapter		Aluminum	
			ADDITIONAL TITEL		SHEET	
					1 OF 1	

FREE USE RIGHTS
 NO WARRANTY: ALL INFORMATION IS PROVIDED "AS IS". FIBERDRAFT MAKES NO WARRANTIES, EXPRESSED, IMPLIED OR OTHERWISE, REGARDING ITS ACCURACY, COMPLETENESS OR MECHANICAL PERFORMANCE.